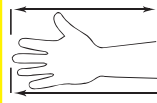


COTTON LINED WELDING GLOVES

10-2392



S, L, XL, XXL,
XXXL, LH/L,
LH/XL
L/18"



34 cm.

46 cm. (L/18)

- Cow shoulder split leather
- Full cotton lined
- Straight thumb helps the user to handle a mig gun a lot better
- Size L also available in 18" (46 cm.)
- Size L and XL also available in Left Hand only pairs (LH)



95%

KEVLAR® 3 ply

EN 12477 (2001+A1:2005) TYPE A
TÜV BP 60153042 0001
TÜV 60400826 002



41324X



3243X

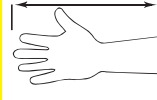


Ω ELECTROSTATIC TESTED Ω

10-2392 MIT



L



34 cm.

- One finger model of glove 10-2392
- Cow shoulder split leather
- Full cotton lined



95%

KEVLAR® 3 ply

EN 12477 (2001+A1:2005) TYPE A
TÜV BP 60153042 0001
TÜV 60400826 002



41324X



3243X

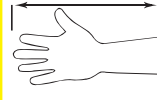


Ω ELECTROSTATIC TESTED Ω

10-2392GB



L, XL



34 cm.

- Same as glove 10-2392, but *Golden Brown™* model
- Cow shoulder split leather
- Full cotton lined
- Straight thumb helps the user to handle a mig gun a lot better



95%

KEVLAR® 3 ply

EN 12477 (2001+A1:2005) TYPE A
TÜV BP 60153042 0001
TÜV 60400826 002



41324X



3243X



Ω ELECTROSTATIC TESTED Ω

10-2150



L, XL



36 cm.

- Innerhand is made of cow grain leather to make it oil and water resistant
- All other parts of the glove are made of cow split leather
- Full cotton lined



95%

EN 12477 (2001+A1:2005) TYPE A
TÜV BP 60152708 0001
TÜV 60403114 003



413X4X




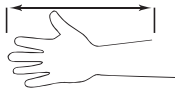




3233X



COTTON LINED WELDING GLOVES

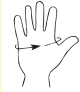
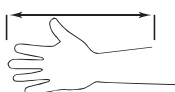




10-2101



 <p>S, L, XL, XXL LH/L, LH/XL</p>	 <p>34 cm.</p>	<p>EN 12477 (2001+A1:2005) TYPE A TÜV BP 60152715 0001 TÜV 60400835 002</p>
<ul style="list-style-type: none"> - The 10-2101 is our general purpose glove of the range - Cow shoulder split leather - Full cotton lined - Size L and XL also available in Left Hand only pairs (LH) 		
 <p>90%</p>		
		  

10-2101GB



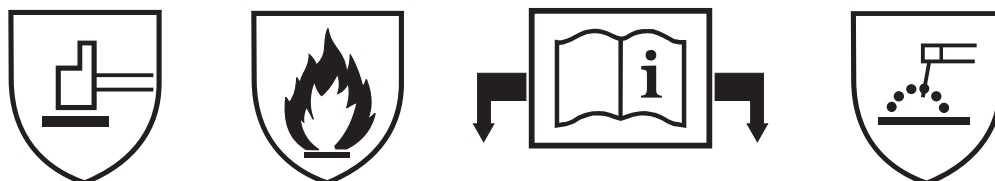
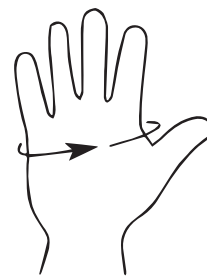
 <p>L, XL</p>	 <p>34 cm.</p>	<p>EN 12477 (2001+A1:2005) TYPE A TÜV BP 60152715 0001 TÜV 60400835 002</p>
<ul style="list-style-type: none"> - Same as glove 10-2101, but <i>Golden Brown™</i> model - Cow shoulder split leather - Full cotton lined 		
 <p>90%</p>		
		  

Weldas sizing incorporates EN 420 size standards, the lining and the intended use

(EN 420)

GLOVE AND HAND SIZE REFERENCE

Hand Size Index	7½	8½	9	9½	10½	11½
Weldas Size Label	S	M	L	XL	XXL	XXXL
Measurement mm	190	216	229	241	267	293
Minimum length in mm	310	320	330	340	350	360



WWW.WELDAS-CE.COM